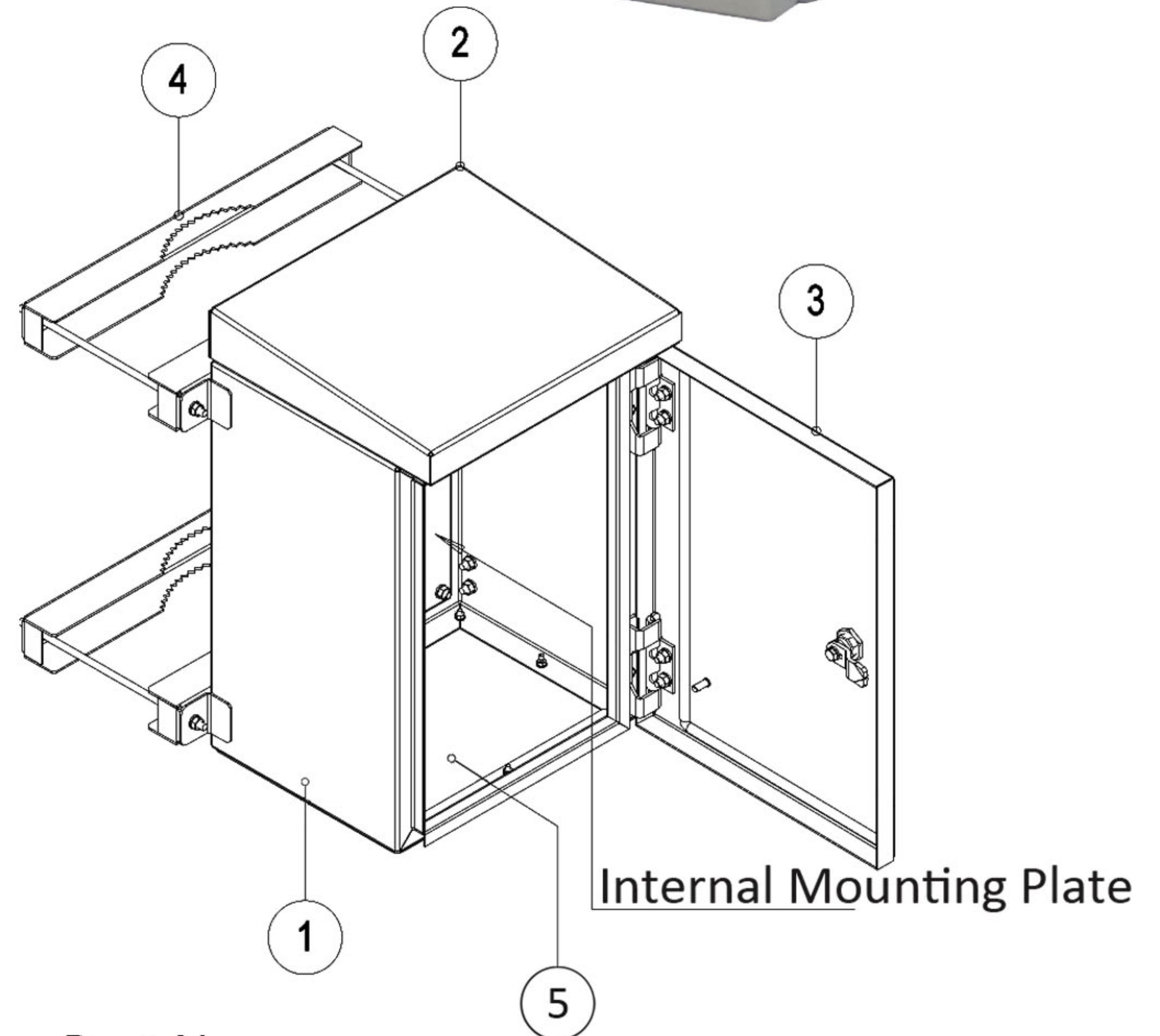


Junction Box (JB)



Features:

1. Junction Box designed for use in indoor or outdoor
2. Available with IP Rate category IP55, IP65, IP66, etc.
3. Flexible installation, pole or wall mounted
4. Optional with base for standing installation
5. High quality powder coated, construction and design
6. Material : SPCC Steel, Aluminium or Stainless Steel
7. Available customized on requirements

Part Name :

1. Junction Box / Cabinet
2. Top / Canopy with Gasket
3. Front Door with Gasket
4. Wall / Pole Bracket
5. Gland Plate with Gasket



More Details :

Specification Junction Box				
Part Number	IP Rate	Height (mm)	Width (mm)	Depth (mm)
ABBA-JB-IP66-303025	IP66	300	300	250
ABBA-JB-IP66-403025	IP66	400	300	250
ABBA-JB-IP66-604025	IP66	600	400	250
ABBA-JB-IP66-705025	IP66	700	500	250