



Key Benefits

- ▶ 2U 22" short depth design
- ▶ Light weight only 51.5 lbs / 23.4 kgs
- ▶ Rugged construction for mobility & durability
- ▶ Built-in solid bearing slide rails
- ▶ Built-in dual stereo speaker (per display)
- ▶ Three LED backlit display selections (4K, FHD, 4:3)
- ▶ DVI-D + VGA video input for FHD & 4:3 (per display)
- ▶ Display port 1.2 video input for 4K (per display)
- ▶ 104-key keyboard with either touchpad or trackball (PS2 / USB)
- ▶ Fits 24" ~ 36" rack via adjustable mounting brackets
- ▶ 2-year standard warranty (upgradable up to 5 years)

Options

- DC power : 24V / 48V / 125V / 250V
- 3G / HD / SD-SDI Broadcast-grade input
- Sunlight readable 17" FHD display
- MAC or SUN Micro keyboard options available
- Front USB hub port for device access

The MRK 2U dual or triple display console drawer is designed for Command and Control Systems which demand quick deployment of side by side displays.

2U 22" depth platform allows for small size and transit case portability. To ensure chassis ruggedness, mobility and quality, as well as being suitable for harsh environment applications, the MRK drawer is meticulously constructed by a team of experts in our own CNC facilities for such applications.

The key benefit of the MRK series is the choice of different resolution panels including 4K 17", FHD 17" and 19" 4:3 LED backlit displays. Sunlight Readable FHD 17" LCD is also available. 4K 17" displays satisfy the increasing demands for higher graphical and text requirements. A solid 104 key keyboard is integrated with either touchpad or trackball.

Models



LH mounted



RH mounted

4K 17" Display

3840 x 2160 native resolution / Display port 1.2 video input
1920 x 1080 & 1920 x 1200 resolution support

- MRK-K17-3** : Triple display console drawer
MRK-K17-2L : Dual display console drawer (LH mounted)
MRK-K17-2R : Dual display console drawer (RH mounted)

19" 4:3 Display

1280 x 1024 native resolution / DVI-D + VGA video input

- MRK-19-3** : Triple display console drawer
MRK-19-2L : Dual display console drawer (LH mounted)
MRK-19-2R : Dual display console drawer (RH mounted)

1080p Full HD FHD 17" Display

1920 x 1080 native resolution / DVI-D + VGA video input

- MRK-F17-3** : Triple display console drawer
MRK-F17-2L : Dual display console drawer (LH mounted)
MRK-F17-2R : Dual display console drawer (RH mounted)

Product Specifications

LCD Panel	MRK-K17	MRK-F17	MRK-19
Native resolution	3840 x 2160	1920 x 1080	1280 x 1024
Panel size (diagonal)	17.3"	17.3"	19"
Brightness (cd/m ²)	400	400	250
Contrast ratio (typ.)	1000 : 1	600 : 1	1000 : 1
Colors	16.7 M, 8-bit	16.7 M, 8-bit	16.7 M
Viewing angle (L/R/U/D)	89/89/89/89	80/80/60/80	85/85/80/80
Response time (ms)	Max. 30	40	5
Dot pitch (mm)	0.0995	0.1989	0.294
Display area (mm)	382.12H x 214.94V	381.888H x 214.812V	337.92H x 270.33V
Surface treatment	Anti-glare	Anti-glare, Hard-coating	Haze 25%, Hard-coating
Surface hardness	3H	3H	3H
Backlight type	LED	LED	LED
MTBF (hrs)	20,000	50,000	30,000

Video				
Digital	Display port	DP 1.2 / HDCP 1.3	-	-
	DVI-D	-	DVI-D, TMDS single link	
Analog	VGA	-	Analog 0.7Vp-p	
Plug & Play	DVI / VGA	-	VESA EDID structure 1.3	
Synchronization	VGA	-	Separate, Composite & SOG	

Power				
Input		Auto-sensing 100 to 240VAC, 50 / 60Hz		
Consumption	Screen on	Max. 29W	Max. 25W	Max. 25W
	Power saving	Max. 9W	Max. 4W	Max. 4W
	Power button on	Max. 2W	Max. 1W	Max. 1W

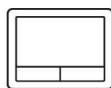
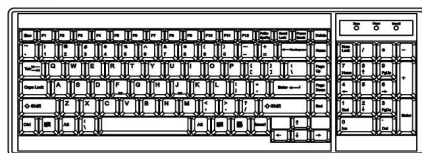
Physical			
Product (W x D x H)		mm	441.6 x 550 x 88
			inch
Packing (W x D x H)		mm	585 x 620 x 190
			inch
Weight	Net	Triple display	25.4 kg / 55.9 lb
		Dual display	23.4 kg / 51.5 lb
	Gross	Triple display	30.4 kg / 66.9 lb
		Dual display	28.4 kg / 62.5 lb
Chassis color			Dark
Chassis materials			Steel

Compliance	
EMC	FCC & CE certified
Safety	CE / LVD certified
Environment	RoHS2 & REACH compliant

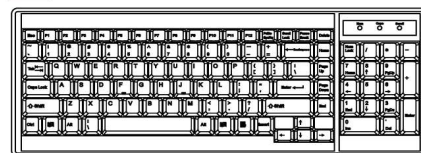
Environment	
Operating temp.	0 to 55°C degree
Storage temp.	-20 to 60°C degree
Operating humidity	20~90%, non-condensing
Storage humidity	5 ~90%, non-condensing
Operating altitude	16,000 ft
Non-operating altitude	40,000 ft
Shock	10G acceleration (11ms duration)
Vibration	10~300Hz 0.5G RMS random vibration

Standard Keyboard

Ge G keyboard integrated with touchpad



Gb G keyboard integrated with trackball



Supporting layouts

America		United States
EMEA		United Kingdom
		Germany
		France
		Spain
		Norway
Asia		Italy
		Russia
		Switzerland
		Netherlands
		Portugal
		China
		Japan
		Korea
		Arabia
		Turkey

Keyboard Options

* US layout only

Me Mac keyboard with touchpad

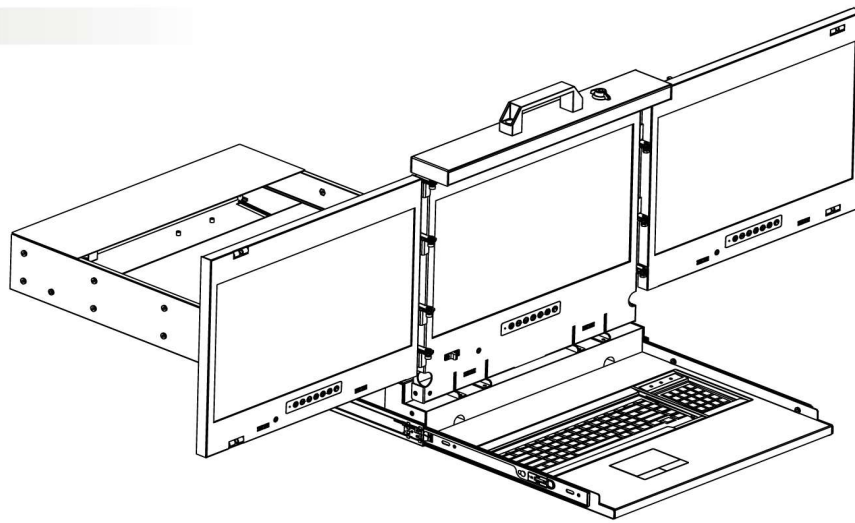


Mb Mac keyboard with trackball

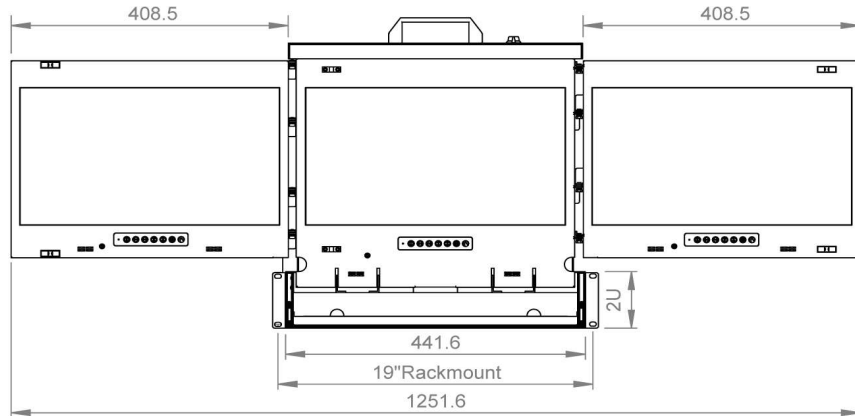
Se S keyboard with touchpad

Sb S keyboard with trackball

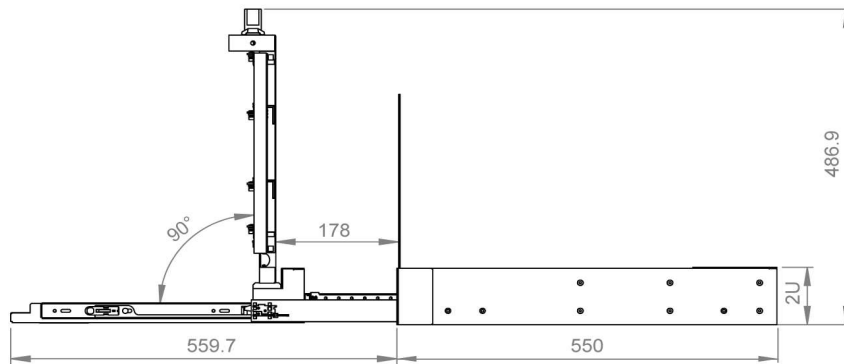




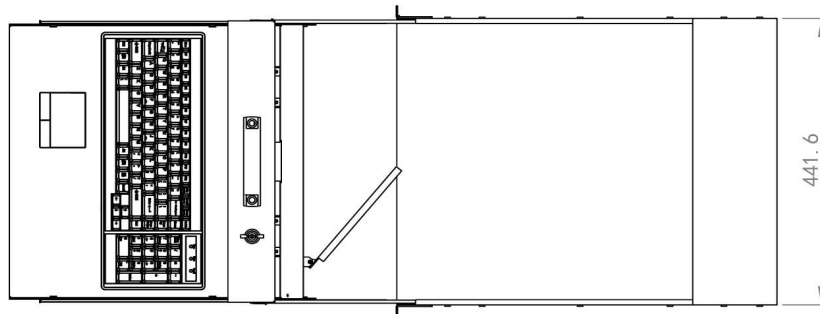
Front View



Side View



Top View



Rear View

