

## Metered ATS - 110V / 208V / 230V



### Input Switching Locally

Sometimes manual power input switching function is essential, especially during the maintenance service in data center. InfraPower ATS is bundled with an Input Preference Switch. It allows user to set the power source preference to supply the output.



### Power Redundancy for Single Corded Devices

Most data centers provide power source redundancy in order to ensure that critical devices have no power downtime issue. Some rackmount IT devices, however, are not designed with power redundancy. For single-corded devices, InfraPower ATS is a perfect fit to provide power fallback. It includes dual power inlets, for connection to both a primary power source and a redundant, secondary power source.



### Auto Switching Relay for Seamless Power Transfer

InfraPower ATS offers a simple but reliable solution for automatically sensing power loss and seamlessly switching to a secondary power source. The power source transfer time is seamless to the connected equipment, making sure that the switching occurs safely between the two input power sources. After switching to a backup power source, it can also switch power back to the primary input after power has been restored.



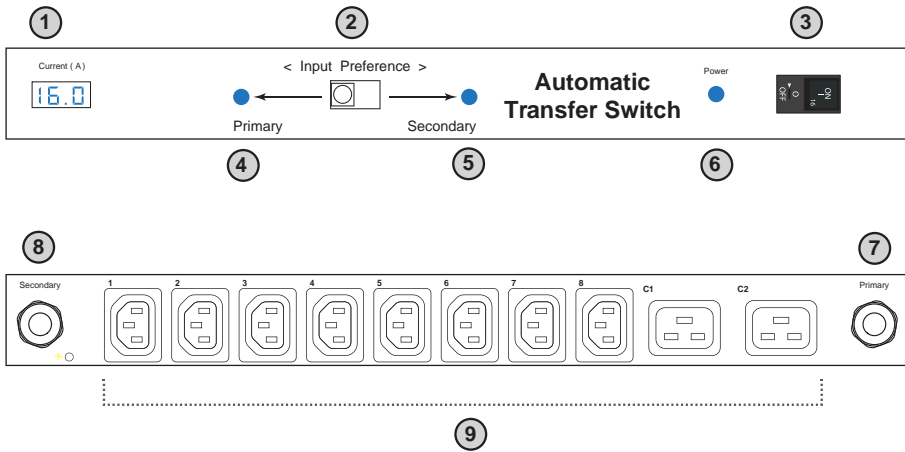
### Local Amp Monitoring by Meter

InfraPower ATS allows true RMS local Amp measurement via a digital meter. Blue LED display is easy-to-read from a distance and allows rapid access to the aggregate load on the circuit. It prevents circuit overloads during equipment installation and allows the users to plan the capacity based on actual real time current monitoring.



### Extensive Selection & Quick Delivery

The leading edge ATS solution provides the widest range of configurations with shortest lead-times in the market : It offers 110V / 208V / 230V models with input range from 10A to 32A, outlet number from 1 to 24 and variety of outlet types ( e.g. NEMA, C13, C19, UK, Schuko, French, etc ). Custom configurations are available upon request.



- 1 Local Current Meter
- 2 Input Preference Switch
- 3 Circuit Breaker
- 4 Power LED - primary input
- 5 Power LED - secondary input
- 6 Power LED - outlets
- 7 Primary Input attached with 3M cord & inlet plug
- 8 Secondary Input attached with 3M cord & inlet plug
- 9 Outlets

## Hardware Specifications

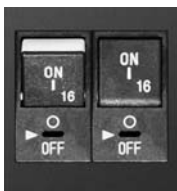
Electrical	
Nominal input voltage	110V / 208V / 230V
Acceptable input voltage	±10% nominal
Input frequency	50 / 60Hz
Inlet	L5-30P / L5-20P / 5-15P / L6-30P / L-620P / C14 / C20 / 60309 UK / Open-end
Outlet	Nema / L620R / L630R / C13 / C19 / 60309 UK / Schuko / French
Local meter	3-digital LED current meter
Overload protection	Hydraulic-magnetic Miniature Circuit Breaker ( MCB )
Transfer time	10 - 16ms typical
Electrical endurance	1 x 10 <sup>5</sup> operations

Physical		
1U	Product ( W x D x H )	442 x 270 x 43.5 mm
	Packing ( W x D x H )	540 x 540 x 150 mm
	Net weight	4.6 kg / 10.1 lb
	Gross weight	5.1 kg / 11.2 lb
2U	Product ( W x D x H )	442 x 270 x 87.5 mm
	Packing ( W x D x H )	540 x 540 x 150 mm
	Net weight	6.5 kg / 14.3 lb
	Gross weight	7 kg / 15.4 lb
Chassis color		Dark
Chassis materials		Steel

Environmental	
Operating temperature	-5 to 60°C degree ( 23 to 140°F )
Storage temperature	-25 to 65°C degree ( 13 to 149°F )
Operating humidity	0-95%, non-condensing
Storage humidity	0-95%, non-condensing

Compliance	
EMC	FCC & CE certified
Safety	LVD certified
ISO	9001 / 14001
Environment	RoHS2 & REACH compliant

### Hydraulic-magnetic MCB Bundled

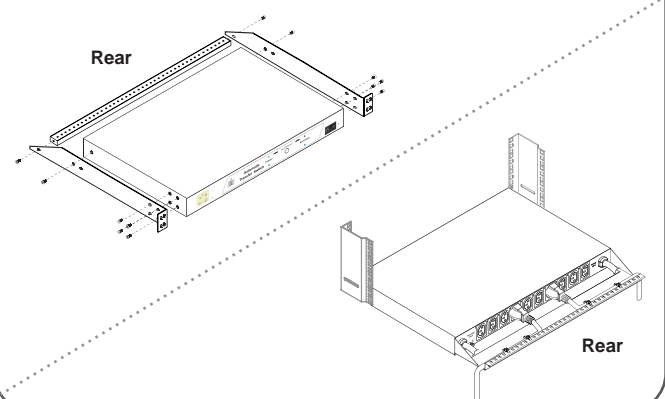


**110V / 208V**  
 15A - 1-pole 16A MCB x 1  
 20A - 1-pole 20A MCB x 1  
 30A - 1-pole 16A MCB x 2

**230V**  
 10A - 1-pole 10A MCB x 1  
 13A - 1-pole 13A MCB x 1  
 16A - 1-pole 16A MCB x 1  
 20A - 1-pole 20A MCB x 1  
 32A - 1-pole 16A MCB x 2

Safety Regulatory :  
 UL / cUL / TUV / CE

### Mounting Bracket w/ Cord Retention Tray Bundled



1U Metered ATS - Single Circuit		Amp		
Outlets	Model	110V	208V	230V
NEMA x 10	ATS-H10US	15A / 20A		
NEMA x 12	ATS-H12US			
C13 x 8	ATS-H8C13		20A	10A / 16A / 20A
C13 x 10	ATS-H10C13			
C13 x 12	ATS-H12C13			
C19 x 6	ATS-H6C19			
C19 x 8	ATS-H8C19			
C13 x 8 + C19 x 1	ATS-H8C13 / 1C19			
C13 x 8 + C19 x 2	ATS-H8C13 / 2C19			
IEC309 16A x 1	ATS-H1EN16A			16A
L620R x 1	ATS-H1L620R		20A	
UK x 8	ATS-H8UK			10A / 13A / 16A / 20A

1U Metered ATS - Single Circuit



2U Metered ATS - Single Circuit		Amp		
Outlets	Model	110V	208V	230V
NEMA x 16	ATS-H16US	15A / 20A		
NEMA x 20	ATS-H20US			
NEMA x 24	ATS-H24US			
C13 x 16	ATS-H16C13		20A	10A / 16A / 20A
C13 x 20	ATS-H20C13			
C13 x 24	ATS-H24C13			
C19 x 10	ATS-H10C19			
C19 x 12	ATS-H12C19			
C13 x 16 + C19 x 2	ATS-H16C13 / 2C19			
C13 x 16 + C19 x 4	ATS-H16C13 / 4C19			
Schuko x 8	ATS-H8SCH			
French x 8	ATS-H8FR			

2U Metered ATS - Single Circuit



2U Metered ATS - Dual Circuit		Amp		
Outlets	Model	110V	208V	230V
NEMA x 16	ATS-H16US	30A		
NEMA x 20	ATS-H20US			
NEMA x 24	ATS-H24US			
C13 x 16	ATS-H16C13		30A	32A
C13 x 20	ATS-H20C13			
C13 x 24	ATS-H24C13			
C19 x 8	ATS-H8C19			
C19 x 10	ATS-H10C19			
C19 x 12	ATS-H12C19			
C13 x 16 + C19 x 2	ATS-H16C13 / 2C19			
C13 x 16 + C19 x 4	ATS-H16C13 / 4C19			
L630R x 1	ATS-H1L630R		30A	
IEC309-16A x 2	ATS-H2EN16A			32A
IEC309-32A x 1	ATS-H1EN32A			

2U Metered ATS - Dual Circuit



\*\* Customization available on request

110V Inlet	Amp	Cordset x 2	
		AWG	length
L5-30P	30A	10	10 FT
L5-20P  5-20P	20A	12	10 FT
5-15P	15A	14	10 FT

208V Inlet	Amp	Cordset x 2	
		AWG	length
L6-30P	30A	10	10 FT
L6-20P	20A	12	10 FT

230V Inlet	Amp	Cordset x 2	
		area	length
60309	32A	4 mm <sup>2</sup>	3 M
Open end	20A	2.5 mm <sup>2</sup>	3 M
60309  C20	16A	1.5 mm <sup>2</sup>	3 M
UK	13A	1.5 mm <sup>2</sup>	3 M
C14	10A	1.5 mm <sup>2</sup>	3 M

**Outlet**

US Nema

**Outlet**

C13 C19 L620R L630R

**Outlet**

C13 C19 EN16A EN32A UK SCH